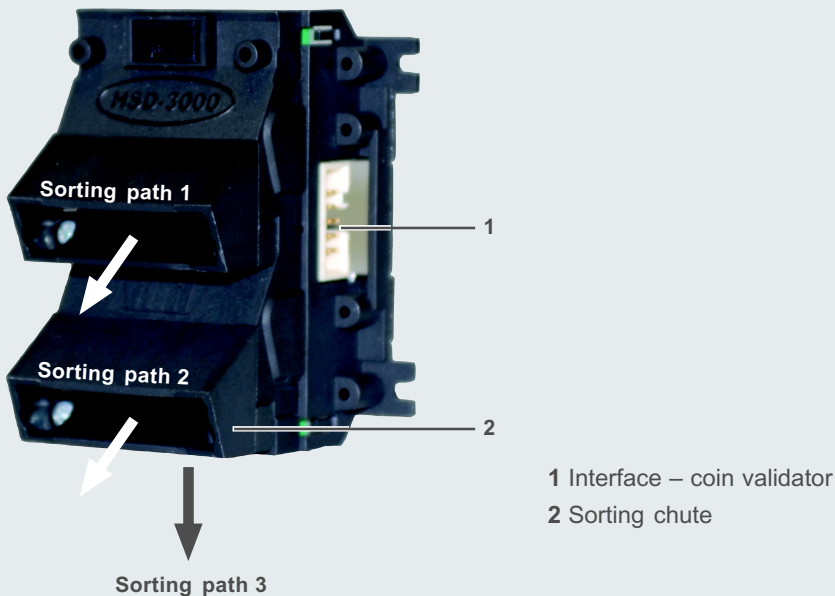


currenza d² HSD-3000

The currenza d² HSD-3000 (High Speed Diverter) is a 3-way sorting device and used as accessory for NRI coin validators in applications with quick coin acceptance and sorting.

currenza d² (ordering code 30500)



Properties and application

- 3 sorting paths with and without sorting chutes
- Quick coin sorting in free fall
- Reliable sorting due to monitored sorting paths
- Sorting into cash-box possible (sorting path 3)
- For NRI coin validators currenza f², G-13.mft, G-40.FT
- Can be controlled by coin validator or currenza i² Maxi Hub (ordering code 30212/30211 (without operating panel)) and NRI Payment Manager (freeware download at www.nri24.com)
- Can be configured by coin validator or currenza i² Maxi Hub (ordering code 30212)

Function

The currenza d² is used to sort the coins accepted by a coin validator into a downstream coin payout system (e.g. hopper) or into the machine cash-box via up to three sorting paths.

Technical data

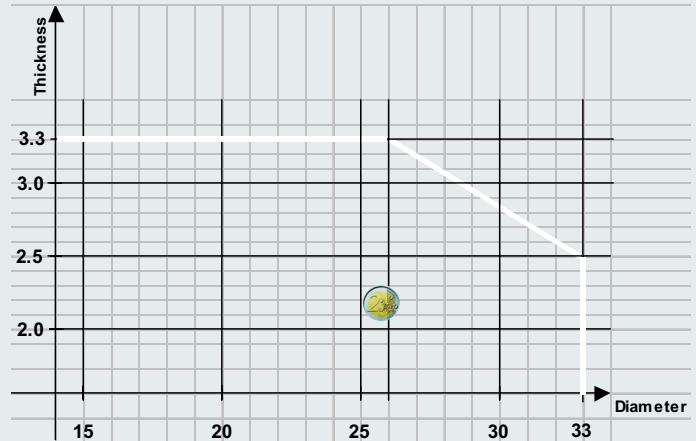
Supply voltage	10V to 16V DC
Temperature range	0°C to 55°C
Temperature change	Max. 0.2°C/min.
Rel. humidity	15% to 93%
Condensation	Not permitted



Coin processing

Diameter: up to 33.0mm
Thickness: up to 3.3mm

Coin passage diagram



Dimensions (approx.)

Height: 77mm
Width: 62mm
Depth: 57mm

Mounting position

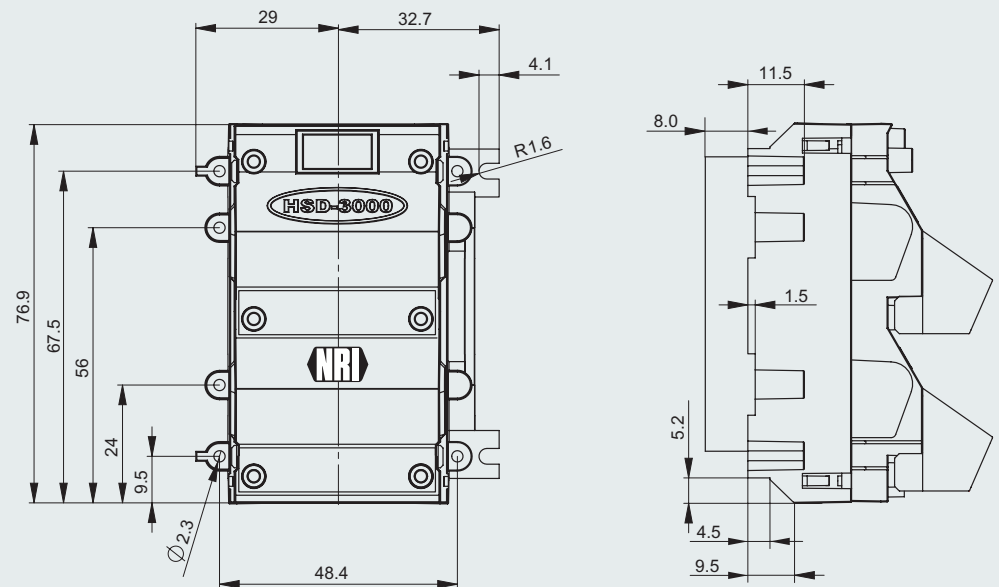
Vertical, max. deviation: $\pm 2^\circ$

Interface

- Pin 1 Ground (GND)
- Pin 2 Supply voltage 10V to 16V DC
- Pin 3 Sorting gate, bottom (sorting path 2)
- Pin 4 Sorting gate, top (sorting path 1)
- Pin 5 nc
- Pin 6 Supply voltage, sorting gates 10V to 16V DC
- Pin 7 Sensor, coin inlet (npn transistor, I_{max} (collector) = 1mA)
- Pin 8 Sensor, coin outlet (npn transistor, I_{max} (collector) = 1mA)
- Pin 9 Light barrier, sorting gate, bottom (npn transistor, I_{max} (collector) = 1mA)
- Pin 10 Light barrier, sorting gate, top (npn transistor, I_{max} (collector) = 1mA)



Mounting dimensions



Additional technical documentation

All NRI product descriptions, e.g., for our coin validators are available in a compressed PDF format at www.nri24.com (→ Download).

05.08 WP/ds
Version 1.0
DB.D2-EN



National Rejectors, Inc. GmbH • Zum Fruchthof 6 • D-21614 Buxtehude
Phone: +49 (0) 41 61-729-0 • Fax: +49 (0) 41 61-729-115 • E-mail: info@nri.de • Internet: www.nri24.com